

Technical Data

FLIR E60 (incl. Wi-Fi)

Part number:
49001-0602

Copyright

© 2012, FLIR Systems, Inc.

All rights reserved worldwide. Names and marks appearing herein are either registered trademarks or trademarks of FLIR Systems and/or its subsidiaries. All other trademarks, trade names or company names referenced herein are used for identification only and are the property of their respective owners.

April 28, 2012, 02:33 AM

Corporate Headquarters

FLIR Systems, Inc.
27700 SW Parkway Ave.
Wilsonville, OR 97070
USA
Telephone: +1-503-498-3547

Website

<http://www.flir.com>

Customer support

<http://support.flir.com>

Legal disclaimer

Specifications subject to change without further notice. Camera models and accessories subject to regional market considerations. License procedures may apply.

Information and equipment described herein may require US Government authorization for export purposes. Diversion contrary to US law is prohibited.



Imaging and optical data

| | |
|--|--|
| IR resolution | 320 × 240 pixels |
| Thermal sensitivity/NETD | < 0.05°C @ +30°C (+86°F) / 50 mK |
| Field of view (FOV) / Minimum focus distance | 25° × 19° / 0.4 m (1.31 ft.) |
| Spatial resolution (IFOV) | 1.36 mrad |
| Image frequency | 60 Hz |
| Focus | Manual |
| Zoom | 1–4× continuous, digital zoom, including panning |
| Focal Plane Array (FPA) / Spectral range | Uncooled microbolometer / 7.5–13 μm |

Image presentation

| | |
|--------------------|---|
| Display | Touch screen, 3.5 in. LCD, 320 × 240 pixels |
| Image modes | IR image, visual image, thermal fusion, picture in picture, thumbnail gallery |
| Thermal fusion | IR image shown above, below or within temp interval on visual image |
| Picture in Picture | Scalable IR area on visual image |

Measurement

| | |
|--------------------------|---|
| Object temperature range | –20°C to +120°C (–4°F to +248°F) 0°C to +650°C (+32°F to +1202°F) |
| Accuracy | ±2°C (±3.6°F) or ±2% of reading, for ambient temperature 10°C to 35°C (+50°F to 95°F) |

Measurement analysis

| | |
|------------------------------------|--|
| Spotmeter | 3 |
| Area | 3 boxes with max./min./average |
| Automatic hot/cold detection | Auto hot or cold spotmeter markers within area |
| Isotherm | Detect high/low temperature/interval |
| Difference temperature | Delta temperature between measurement functions or reference temperature |
| Emissivity correction | Variable from 0.01 to 1.0 or selected from materials list |
| External optics/windows correction | Automatic, based on inputs of optics/window transmission and temperature |
| Measurement corrections | Reflected temperature, optics transmission and atmospheric transmission |

Set-up

| | |
|-----------------|--|
| Color palettes | Arctic, Gray, Iron, Lava, Rainbow and Rainbow HC |
| Set-up commands | Local adaptation of units, language, date and time formats |



FLIR E60 (incl. Wi-Fi)

P/N: 49001-0602

© 2012, FLIR Systems, Inc.
All rights reserved worldwide.

| | |
|--------------------------------------|--|
| Set-up | |
| Languages | 21 |
| Storage of images | |
| Image storage | Standard JPEG, including measurement data, on memory card |
| Image storage mode | IR/visual images; simultaneous storage of IR and visual images |
| Image annotations | |
| Voice | 60 seconds (via Bluetooth) |
| Text | Text from predefined list or soft keyboard on touch screen |
| Meterlink | Wireless connection (Bluetooth®) to: Extech Moisture Meter MO297 Extech Clamp Meter EX845 |
| Report generation | <ul style="list-style-type: none">Instant Report (*.pdf file) in camera including IR and visual imagesSeparate PC software with extensive report generation |
| Video recording in camera | |
| Non-radiometric IR-video recording | MPEG-4 to memory card |
| Video streaming | |
| Radiometric IR-video streaming | Full dynamic to PC using USB |
| Non-radiometric IR-video streaming | Uncompressed colored video using USB |
| Digital camera | |
| Built-in digital camera | 3.1 Mpixel (2048 × 1536 pixels), and one LED light |
| Built-in digital lens data | FOV 53° × 41° |
| Laser pointer | |
| Laser | Activated by dedicated button |
| Laser alignment | Position is automatic displayed on the IR image |
| Data communication interfaces | |
| Interfaces | USB-mini, USB-A, Bluetooth, Wi-Fi, composite video |
| Bluetooth | Communication with headset and external sensors |
| Wi-Fi | Peer to peer (ad-hoc) or infrastructure (network) |
| USB | <ul style="list-style-type: none">USB-A: Connect external USB deviceUSB Mini-B: Data transfer to and from PC / Uncompressed colored video |
| Video out | Composite |
| Radio | |
| Wi-Fi | Standard: 802.11 b/g Frequency range: 2412–2462 MHz Max output power: 15 dBm |
| Bluetooth | Frequency range: 2402–2480 MHz |
| Antenna | Internal |
| Power system | |
| Battery | Li Ion, 4 hours operating time |
| Charging system | In camera (AC adapter or 12 V from a vehicle) or 2-bay charger |
| Charging temperature | 0°C to +45°C (+32°F to +113°F) |
| Power management | Automatic shutdown and sleep mode (user selectable) |
| Environmental data | |
| Operating temperature range | –15°C to +50°C (+5°F to +122°F) |
| Storage temperature range | –40°C to +70°C (–40°F to +158°F) |



FLIR E60 (incl. Wi-Fi)

P/N: 49001-0602

© 2012, FLIR Systems, Inc.
All rights reserved worldwide.

Environmental data

| | |
|----------------------------------|---|
| Humidity (operating and storage) | IEC 60068-2-30/24 h 95% relative humidity +25°C to +40°C (+77°F to +104°F) / 2 cycles |
| EMC | <ul style="list-style-type: none">• ETSI EN 301 489-1 (radio)• ETSI EN 301 489-17• EN 61000-6-2 (Immunity)• EN 61000-6-3 (Emission)• FCC 47 CFR Part 15 B (Emission)• ICES-003 |
| Radio spectrum | <ul style="list-style-type: none">• ETSI EN 300 328• FCC Part 15.247• RSS-210 |
| Encapsulation | IP 54 (IEC 60529) |
| Bump | 25 g (IEC 60068-2-29) |
| Vibration | 2 g (IEC 60068-2-6) |
| Drop | 2 m (6.6 ft.) |
| Safety | EN/UL/CSA/PSE 60950-1 |

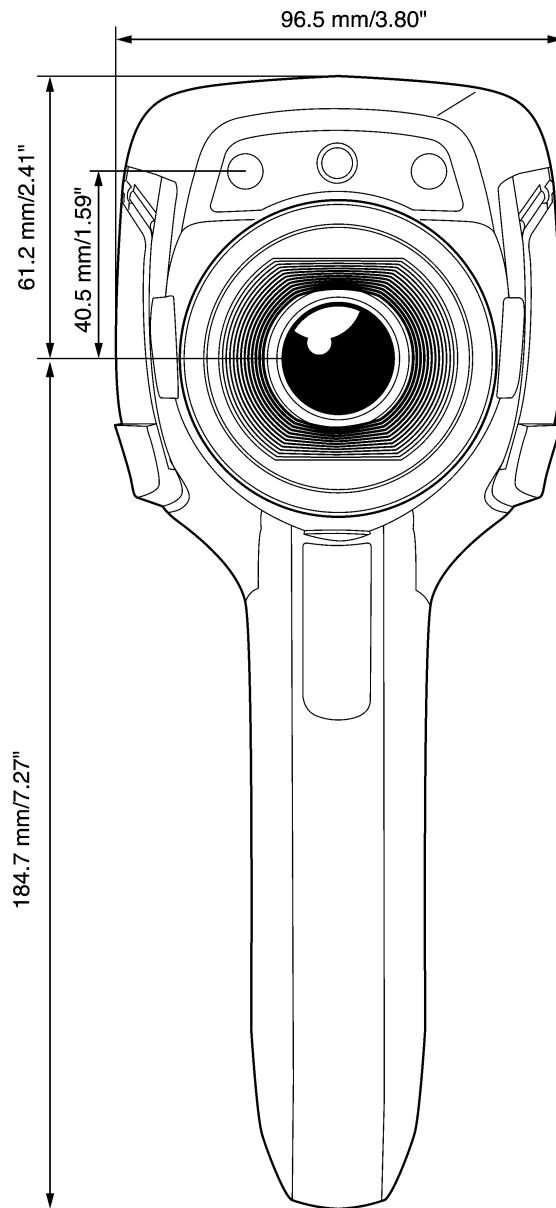
Physical data

| | |
|------------------------------|---|
| Camera weight, incl. battery | 0.825 kg (1.82 lb.) |
| Camera size (L × W × H) | 246 × 97 × 184 mm (9.7 × 3.8 × 7.2 in.) |
| Tripod mounting | UNC ¼"-20 (adapter needed) |

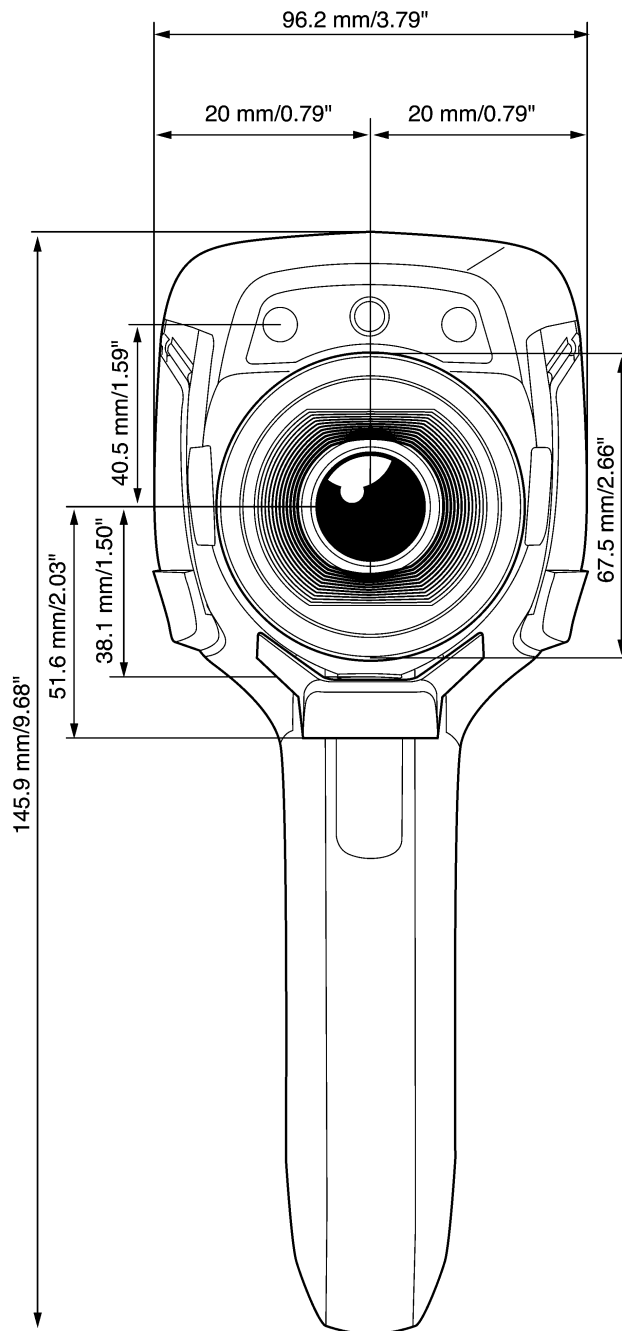
Shipping information

- Hard transport case
- Infrared camera with lens
- Battery (2 ea.)
- Battery Charger
- Calibration certificate
- Camera lens cap
- Downloads brochure
- FLIR Tools software CD-ROM
- Handstrap
- Memory card
- Power supply, incl. multi-plugs
- Printed Getting Started Guide
- Printed Important Information Guide
- Service & training brochure
- USB cable
- User documentation CD-ROM
- Video cable
- Warranty extension card

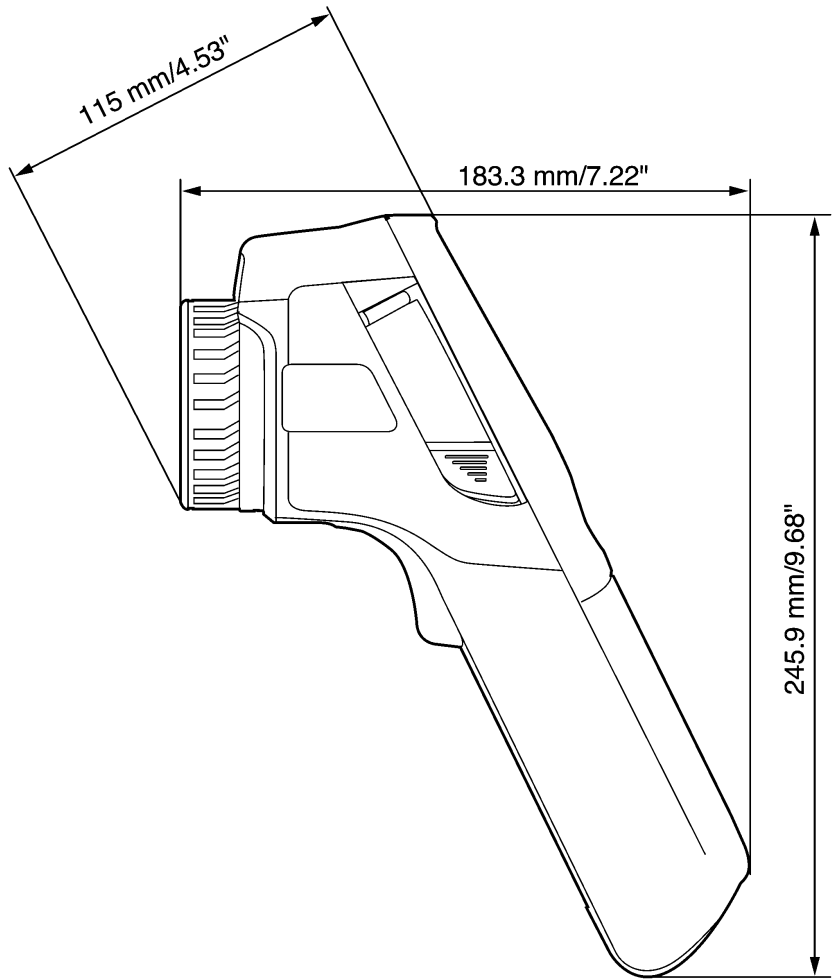
© 2011, FLIR Systems, Inc.
All rights reserved worldwide.



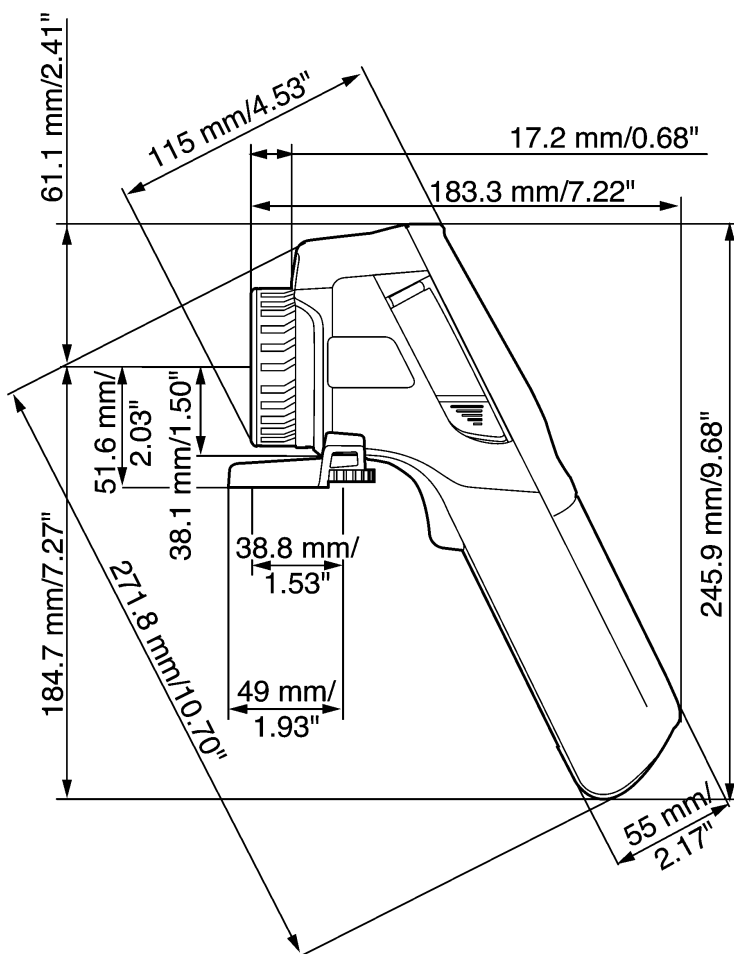
© 2011, FLIR Systems, Inc.
All rights reserved worldwide.



© 2011, FLIR Systems, Inc.
All rights reserved worldwide.



© 2011, FLIR Systems, Inc.
All rights reserved worldwide.



© 2011, FLIR Systems, Inc.
All rights reserved worldwide.

